

You Can Do-It We Can Help



800 Rt. 3 South
Gambrills Md, 21054
1-800-833-9310
410-544-1987
Fax # 410-923-1090
Sales@madfence.com

Any Questions Please Call

Mon thru Fri 8:00am to 4:00pm

Eastern Standard Time

The Annapolitan Attached Pergolas



Pergola Beams: Are two hollow vinyl 2 x 8s which can be sleeved for additional structural support using pressure treated 2x8s NOT INCLUDED

Pergola Rafters: Are 2x6 hollow vinyl and are spaced at 24 inches on center. Closer rafter spacing is available upon request the rafters can also be sleeved using pressure treated 2x6s for added strength. NOT INCLUDED

Pergola stringers: Are 1-1/2" x 1-1/2" hollow vinyl and are spaced any were from 8", 12" or 24" on center.

Pergola Posts and Collumns: Are sold seperatly and are available in 5x5 and 6x6 square and are also available in 8" and 10" round taperd vinyl columns. See post and column page for more details.

Any Questions Please Call 1-800-833-9310

Monday Thru Friday 8:00am to 4:00pm Eastern Standard Time

Bring old world charm using new world technology

Custom sizes are available upon request

Simple soap and water cleans them right up



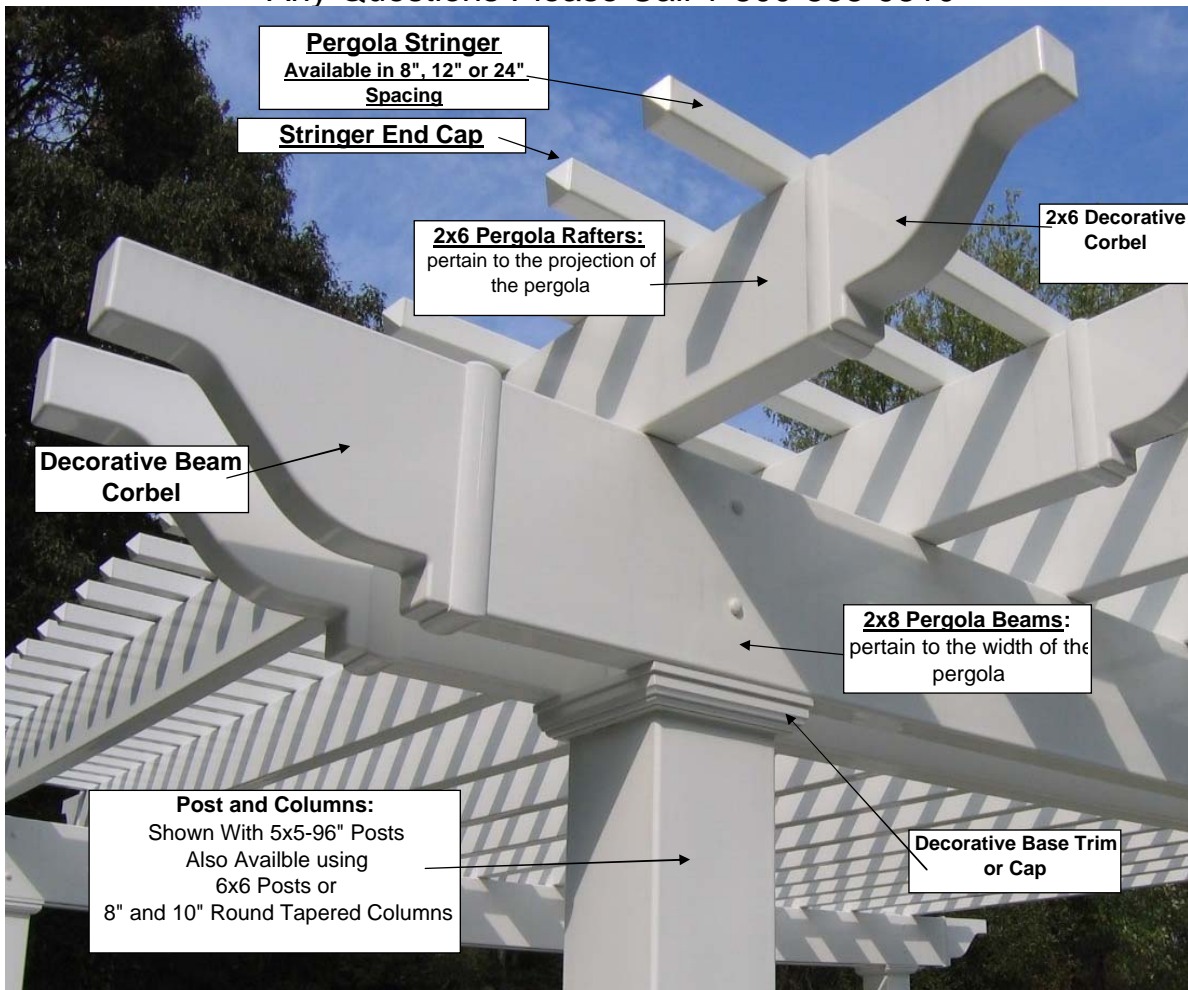
800 Rt. 3 South
Gambrills Md, 21054
1-800-833-9310
410-544-1987
Fax # 410-923-1090
Sales@madfence.com

Any Questions Please Call

Mon thru Fri 8:00am to 4:00pm

Eastern Standard Time

Any Questions Please Call 1-800-833-9310



Still Confused don't worry we do it every day Just Call 1-800-833-9310



5/9/2011

800 Rt. 3 South
 Gambrills Md, 21054
 1-800-833-9310
 410-544-1987
 Fax # 410-923-1090
Sales@madfence.com

Any Questions Please Call
 Mon thru Fri 8:00am to 4:00pm
 Eastern Standard Time

The Annapolitan Attached Pergola Kits

It's as easy as...

- 1 Width and projection desired?
- 2 Want stringers? Select from 8", 12" or 24" spacing.
- 3 Select the posts or columns and accessories that you want.

1 Pergola Base Kit

Annapolitan - Attached Pergola Base Kit: NOTE The actual beam length is 2' shorter than the width indicated below

Width	Actual	8'	10'	12'	14'	16'	18'
Projection	2" x 6" rafters @ approximately 24" O.C. & double 2 x 8 beams; without posts.						
Actual	Nominal	6'	8'	10'	12'	14'	16'
6' - 9"	6'	\$436	\$498	\$559	\$621	\$682	\$743
8' - 9"	8'	\$462	\$530	\$598	\$666	\$733	\$801
10' - 9"	10'	\$488	\$562	\$636	\$711	\$785	\$859
12' - 9"	12'	\$514	\$594	\$675	\$756	\$837	\$917
16' - 9"	16'	\$565	\$659	\$752	\$846	\$940	\$1,033

2 Stringer Selection

Stringers are only sold with pergola kits and must be shipped at the same time as the kit.

Add for Stringers - 8"on center with approx 6-1/2" spacing between stringers

Width	Actual	8'	10'	12'	14'	16'	18'
Actual	Nominal	6'	8'	10'	12'	14'	16'
6' - 9"	6'	\$68	\$88	\$108	\$128	\$148	\$168
8' - 9"	8'	\$85	\$110	\$135	\$160	\$185	\$210
10' - 9"	10'	\$108	\$139	\$171	\$203	\$234	\$266
12' - 9"	12'	\$130	\$169	\$207	\$245	\$284	\$322
16' - 9"	16'	\$170	\$220	\$270	\$320	\$370	\$420

Add for Stringers - 12"on center with approx 10-1/2" spacing between stringers

Width	Actual	8'	10'	12'	14'	16'	18'
Actual	Nominal	6'	8'	10'	12'	14'	16'
6' - 9"	6'	\$40	\$51	\$63	\$75	\$86	\$98
8' - 9"	8'	\$57	\$74	\$90	\$107	\$124	\$140
10' - 9"	10'	\$68	\$88	\$108	\$128	\$148	\$168
12' - 9"	12'	\$80	\$103	\$126	\$150	\$173	\$196
16' - 9"	16'	\$108	\$139	\$171	\$203	\$234	\$266

Add for Stringers - 24"on center with approx 22-1/2" spacing between stringers

Width	Actual	8'	10'	12'	14'	16'	18'
Actual	Nominal	6'	8'	10'	12'	14'	16'
6' - 9"	6'	\$23	\$30	\$36	\$43	\$50	\$56
8' - 9"	8'	\$29	\$37	\$45	\$54	\$62	\$70
10' - 9"	10'	\$34	\$44	\$54	\$64	\$74	\$84
12' - 9"	12'	\$40	\$52	\$63	\$75	\$87	\$98
16' - 9"	16'	\$51	\$66	\$81	\$96	\$111	\$126

Prices subject to change without notice



The Annapolitan 8', 10', and 12' require 2 support posts. The 14', 16' and 18' require 3 support posts

5x5 Or 6x6 Post Options

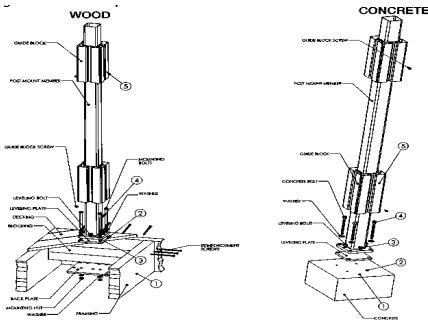
Posts Options:

- 5"x5"x 108" Vinyl Post Sleeve White
\$22.50
- 5"x5"x120" Vinyl Post Sleeve **Na**
- 6-1/2"x6-1/2"x 9' Vinyl Post Sleeve **\$52.92**
6x6 post sleeves recommended to sleeve over 6x6 pressure treated posts



Posts Accessories:

- 42in Blu-Mount Post Stiffeners for 5in posts **\$49.00**
- Blu-Mount Post Mount Hardware for wood and composite applications **\$13.00**
- Blu-Mount Post Mount Hardware for Concrete **\$8.90**



Aluminum Post Inserts



These aluminum post inserts are designed to sleeve inside the 5x5 vinyl posts to provide added strength and stability.

Aluminum Post insert Pricing

- 5x5 Aluminum Post Inserts 96" **\$56.00**
- 5x5 Aluminum Post Inserts 108" **Na**

Post Caps And Base Trim

- 5x5 Post Base Trim **\$3.66**
- 6x6 Post Basae Trim **\$6.42**

Flat Cap New England Cap



Post Base Trim

- 5x5 Post Cap (Flat External) **\$1.02**
- 5x5 Post Cap (New England) **\$5.30**
- 6-1/2" Post Cap (Flat) **Na**
- 6-1/2" Post Cap (New England) **\$5.72**

Accessories

- 2x6 Decorative Corbel (Dove Tail) **\$13.20**
- 2x8 Decorative Corbel (Dove Tail) **\$15.90**
- 1-1/2" Stringer End Cap **\$0.26**
- Vinyl Glue 8 Oz **\$13.20**
- 2-1/2" #10 Stainless Steel Screws **\$0.24**
- 1" #10 Stainless Steel Screws **\$0.14**
- Rafter Brackets **\$0.70**
- Button Caps **\$0.04**
- 2x6 Rail Brackts **\$2.90**



Dove Tails

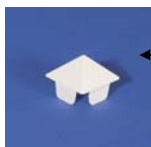


Button Caps

Rafter Brackets



Rail Brackets



Stringer End Caps

Prices Subject to change without notice

Column Options !!!!!!

5/9/2011



Any Questions Please Call

Mon thru Fri 8:00am to 4:00pm

Eastern Standard Time

800 Rt. 3 South
Gambrills Md, 21054

1-800-833-9310

410-544-1987

Fax # 410-923-1090

Sales@madfence.com

The Annapolitan 8', 10', and 12' require 2 support posts. The 14', 16' and 18' require 3 support posts



Our Vinyl Post columns are made from 100% virgin vinyl and come with a manufacturers limited lifetime warranty. Each column is offered in both 8" and 10" tapered for your desired look. The best thing is that they never need painting simple soap and water cleans them right up. All our column prices include all necessary hardware needed to install.



White

8" Round Tapered Column Ground Mount Includes The Following

\$420

- | Qty. | Item |
|------|---|
| 1 | 8" Round In-Ground Aluminum Mounts (4' Long) w/ Hardwar |
| 1 | 8" Round Tapered Column Posts 7-1/2' Long White |
| 1 | 8 Top Cap and Bottom Base For 8" Colum |
| 1 | Top Beam Mount Assembly |



White

8" Round Tapered Column with Concrete Mount Includes The Following

\$399

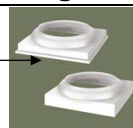
- | Qty. | Item |
|------|---|
| 1 | 8" Round Tapered Collumn Concrete Mount Assembly W/Hardware |
| 1 | 8" Round Tapered Column Posts 7-1/2' Long White |
| 1 | 8 Top Cap and Bottom Base For 8" Column |
| 1 | Top Beam Mount Assembly |

10" Round Tapered Column Ground Mount Includes The Following

\$545

- | Qty. | Item |
|------|---|
| 1 | 10" Round In-Ground Aluminum Mounts (4' Long) w/ Hardware |
| 1 | 10" Round Tapered Column Posts 9' Long White |
| 1 | 10 Top Cap and Bottom Base For 10" Collum |
| 1 | Top Beam Mount Assembly |

Base and Cap



White

White

10" Round Tapered Column with Concrete Mount Includes The Following

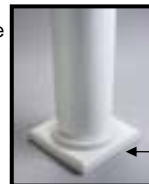
\$523

- | Qty. | Item |
|------|--|
| 1 | 10" Round Tapered Collumn Concrete Mount Assembly W/Hardware |
| 1 | 10" Round Tapered Column Posts 9' Long White |
| 1 | 10 Top Cap and Bottom Base For 10" Collum |
| 1 | Top Beam Mount Assembly |

Concrete Mount

Ground Mount

Pergola Mount



Base And Cap For Tapered Vinyl Columns

The pergola mounts make it a snap to attach the pergola beams to the columns. All mounting hardware included.

Prices subject to change without notice

Pergola Kits Now Available



Any Questions Please Call

Mon thru Fri 8:00am to 4:00pm
Eastern Standard Time

800 Rt. 3 South
Gambrills Md, 21054

1-800-833-9310
410-544-1987

Fax # 410-923-1090

Sales@madfence.com

Vinyl Pergola Intro

The Annapolitan

Attached Pergola Kits

Easy simple to install Vinyl Pergola kits now available. Bringing old world style and elegance using today's technology.

Add a touch of class to your backyard with one of our low maintenance vinyl pergolas and make your deck or patio the talk of the neighborhood. Mid Atlantic Deck and Fence has been building and installing vinyl pergolas for our customers for several years. With the increasing demand for these beautiful structures, we have decided to make them available to our customers in kit form. Our vinyl pergola kits are constructed using the highest quality of vinyl components on the market. All of our kits include a lifetime manufacturer warranty against fading, blistering, yellowing, chalking and cracking for as long as you own your home. Mid Atlantic Deck and Fence has been manufacturing vinyl fences and other vinyl garden products since 1999. We have taken the time and resources developing the finest vinyl pergolas on the market today, at a price point you can afford.

Mid Atlantic Deck and Fence designed and built wooden pergola structures for years. One of the biggest concerns that our clients had with wooden pergolas was the the constant painting and staining it required to keep them looking good year after year. With our new vinyl pergolas, the maintenance has virtually disappeared, all you need to do is to wash them down once or twice a year with a simple soap and water
Styles:

The Annapolitan and the Chrisfield models are basically the same, the only difference is the Annapolitan is attached to an existing structure and the Chrisfield is a freestanding pergola. Both styles are constructed using double 2x8 beams, 2x6 rafters spaced approximately 24"apart and 1-1/2" x 1-1/2" pergola stringers space approximately 6", 12" or 24" apart based on the desired amount of shade you require and are NOT included in the cost of the pergola top. PRICING DOES NOT INCLUDE POSTS.

Assembly is simple and most homeowners already have the necessary tools required to construct one on your own. Tools required are level, tape measure, screw gun, circular saw or hand saw in the event you need to custom fit your pergola to size. Eye and ear protection is recommended.

Projection: Is the length of the rafter including the decorative corbel (End Cap) which is Approximately 9 inches each

Width: Is the length of the beam including the decorative corbels (End Caps) which are Approximately 12 inches each

See Pricing Tables Above For Pricing

Custom Pergolas are available upon request please forward us a drawing with all of the dimensions and any special requirements you may have, a photo of the area is helpful. You can Email to us at sales@madfence.com or send your plans to 800 Rt. 3 South Gambrills Md. 21054



Any Questions Please Call

Mon thru Fri 8:00am to 4:00pm
Eastern Standard Time

800 Rt. 3 South
Gambrills Md, 21054
1-800-833-9310
410-544-1987
Fax # 410-923-1090
Sales@madfence.com

You Can Do-It !!!! We Can Help

Recommended Spans: Important Please Read

Pergola Posts: 10' maximum span EXTREME caution must be used when anchoring the pergola posts to a deck, patio, concrete slab or in the ground.

1. 5x5 Pergola Posts can be sleeved using a pressure treated 4x4 post (not included) for in ground mount applications and the pressure treated post should be set 30" below grade and concreted in place. We also have steel post brackets for concrete or patio mounting applications.
2. 6" x 6" Pergola Posts can be sleeved using 6x6 pressure treated posts (not included) for in ground mount applications and the pressure treated posts should be set 30" below grade and concreted in place. You can also mount them to an existing deck by simply cutting through the decking and dropping the 4x4 or 6x6 through the deck floor and carriage bolting the post to the existing joist. You will be required to add some bridge blocking in between the joist bays for added support and stability. Click here for illustration. For concrete mount or patio mount we recommend cutting through the concrete slab or patio in order to mount the post properly.
3. 8" and 10" Tapered Vinyl Columns' are available for either in ground or surface mount applications and can really change the look of your project.

Beam Cantilever: Max 2' over the out side edge of the pergola posts. Each beam is required to have a 2x8 pressure treated board (not included) sleeved inside of the beam for added strength and stability.

Beam end Caps: (corbels) are attached to either end of the beams and are 12inches in length so if you purchase a pergola that is 12' wide the actual beam is 10' long and when you add the decorative corbels it makes the beam for the pergola 12' wide out side measurement.

Rafter Spans: On pergola projections of 10', 12', and 16' are required to have a pressure treated 2x6 (not included) sleeved inside of each rafter for added strength and stability. Pergolas with a projection of 6' or 8' are not required to have the 2x6 pressure treated sleeved in side of the vinyl 2x6, but it is recommended where structural support is needed.

Rafter End Caps: (corbels) were a pergola is attached to a structure the pergola the end caps only attach to outside of the rafter and are 9" in length. If you are constructing a free standing Pergola they attach to both ends of the rafters.

Stringers: There are no structural requirements necessary. They are used to provide additional shade and can be placed on top of the rafters every 8, 12 or 24 inches based on your desired shade requirements. The stringers are 1-1/2" x 1-1/2" and include the decorative end caps.